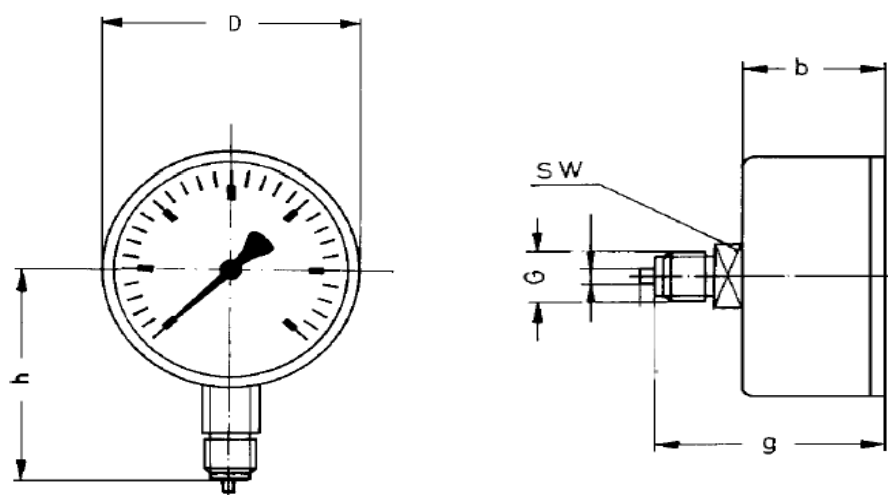


DIAPHRAGM CAPSULE GAUGES TYPE KP 63.11 / KPR 63.11

Diameter:	63 mm
Accuracy:	1,6 % to the full scale value
Execution:	case out of stainless steel
Measuring system:	copper alloy
Dial:	aluminium white, writing black
Window:	polycarbonate snap- in window
Connection:	G 1/4, 1/4 NPT ...
Connection position:	bottom, backside centric (KPR 63.11)
Options:	- further options on request



NG	D	b	h	G	g	SW
63	63	37	53	1/4	57	14

mass in mm

We reserve the right to change technical details.