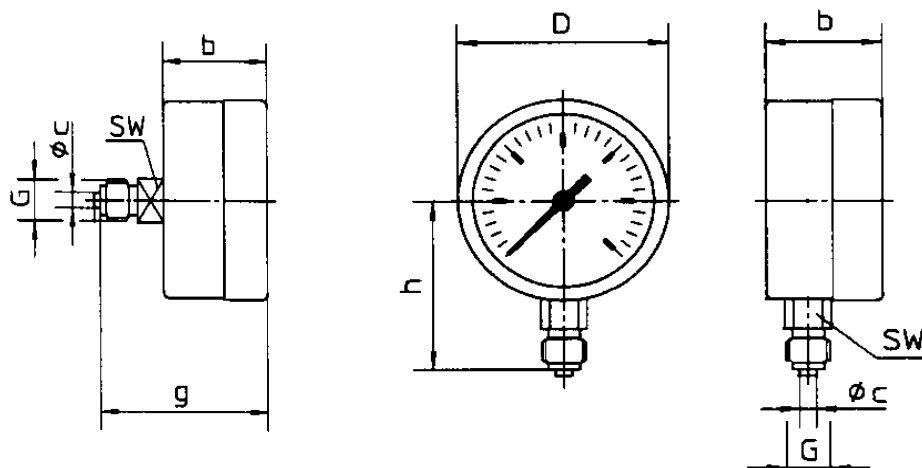


## PRESSURE GAUGE WITH GLYCERINE-FILLING TYPE GL 63.13 / GLR 63.13

Nominal size:	63 mm
Accuracy:	1,6 % to the full scale value
Execution:	case and rim-sealed ring stainless steel glycerine-filling
Measuring system:	copper alloy
Dial:	aluminium white, writing black
Window:	polycarbonate, optional safety glass
Connection:	G 1/4, 1/4 NPT ...
Connection position:	bottom, backside centric (GLR 63.13)
Options:	<ul style="list-style-type: none"> <li>- stationary pointer</li> <li>- maximum pointer</li> <li>- three hole front flange</li> <li>- u- clamp fixing</li> <li>- further options on request</li> </ul>



NG	D	b	c	h	G	g	SW
63	63	31	5	52	1/4	56	17

mass in mm

We reserve the right to change technical details.