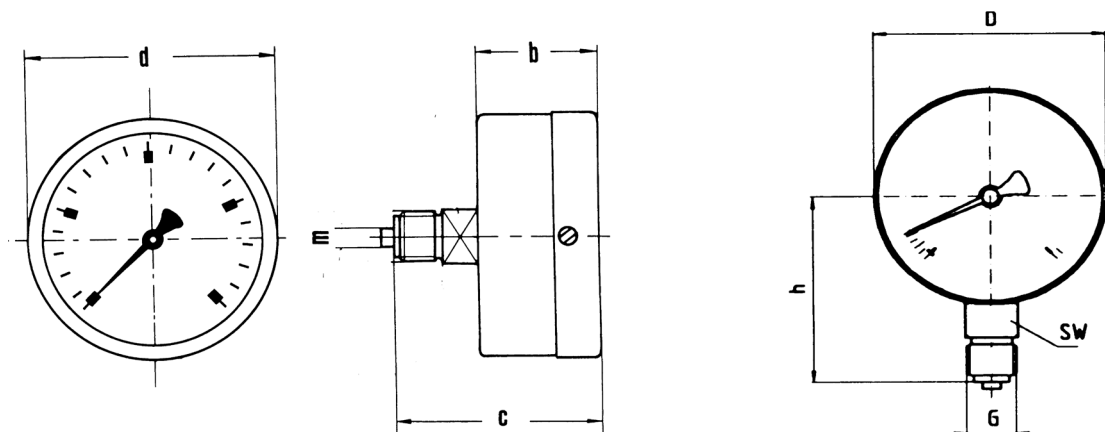


PRESSURE GAUGE TYPE 80.11 / R 80.11

Diameter:	80 mm
Accuracy:	1,6 % to the full scale value
Execution:	case steel, black with bezel ring chrome-plated
Measuring system:	copper alloy
Dial:	aluminium white, writing black
Window:	glass
Connection:	G 1/2, G 1/4 ...
Connection positon:	bottom, backside centric
Options:	<ul style="list-style-type: none"> - stationary pointer - maximum pointer - back flange - further options on request



NG	D	b	h	G	m	c	SW
80	80	30	66	1/2 bottom	6	50	22
				1/4 back			14

mass in mm

We reserve the right to change technical details.