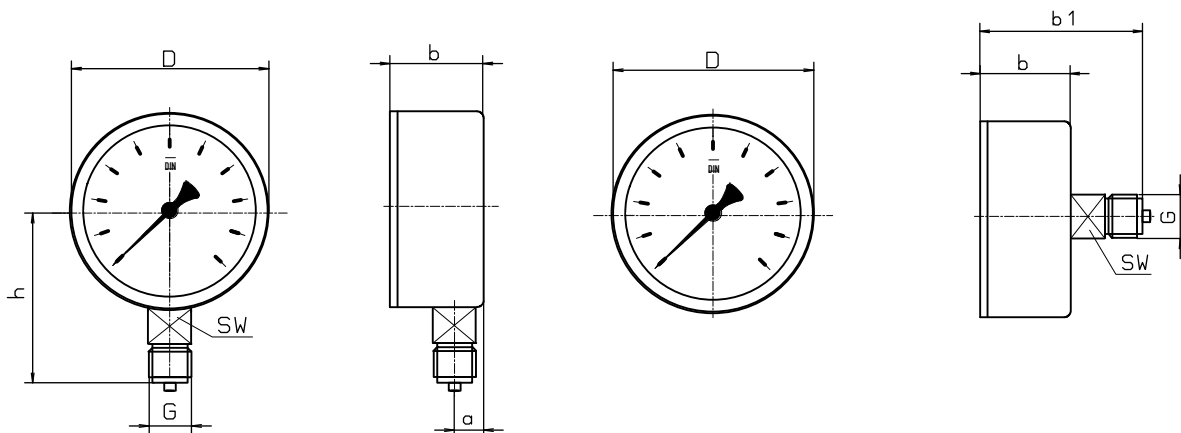


## PRESSURE GAUGE TYPE 63.11 / R 63.11

<b>Diameter:</b>	63 mm
<b>Accuracy:</b>	1,6 % to the full scale value
<b>Execution:</b>	steel, black
<b>Measuring system:</b>	copper alloy
<b>Dial:</b>	aluminium white, writing black
<b>Window:</b>	polycarbonate
<b>Connection:</b>	G 1/4, 1/4 NPT, G 1/8 ...
<b>Connection position:</b>	bottom, backside centric
<b>Options:</b>	<ul style="list-style-type: none"> <li>- case stainless steel</li> <li>- stationary pointer</li> <li>- maximum pointer</li> <li>- back flange</li> <li>- further options on request</li> </ul>



NG	D	b	h	G	a	b1	SW
63	63	31	54	1/4	10,5	51	14

mass in mm

We reserve the right to change technical details.