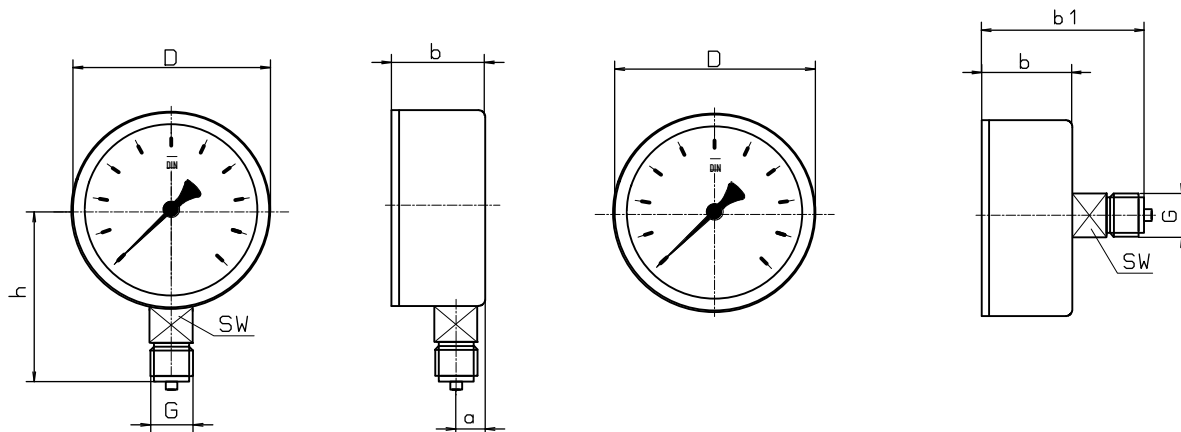


PRESSURE GAUGE TYPE 40.11 / R 40.11

Diameter:	40 mm
Accuracy:	2,5 % to the full scale value
Execution:	steel, black
Measuring system:	copper alloy
Dial:	aluminium white, writing black
Window:	polycarbonate
Connection:	G 1/8, 1/8 NPT, G 1/4 ...
Connection position:	bottom, backside centric (R 40.11)
Options:	- case stainless steel - accuracy 1,6%



NG	D	b	h	G	a	b1	SW
40	40	24	40	1/8	8	47	14

mass in mm

We reserve the right to change technical details.