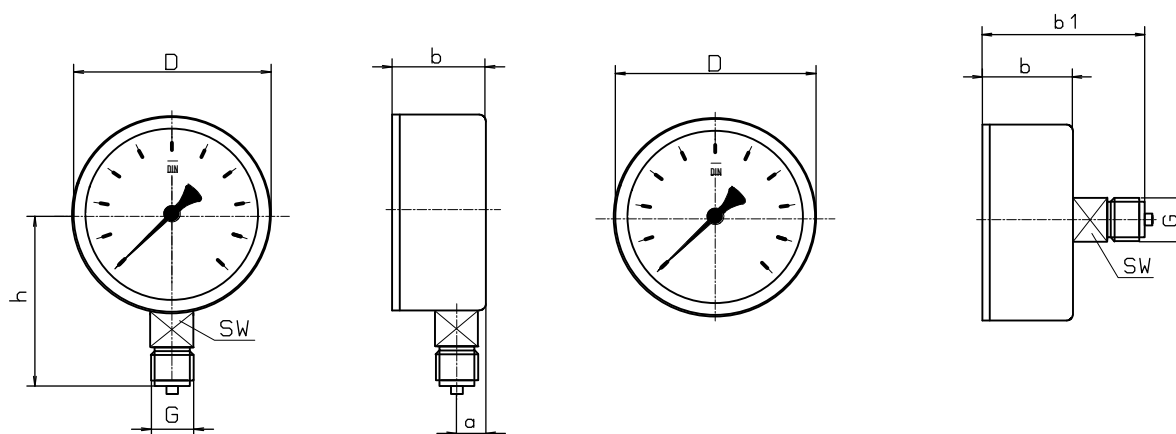


PRESSURE GAUGE TYPE 100.11 / R 100.11

Diameter:	100 mm
Accuracy:	1,6 % to the full scale value
Execution:	case steel, black with bezel ring chrom-plated
Measuring system:	copper alloy
Dial:	aluminium white, letters black
Window:	glass
Connection:	G 1/2 G 1/4 ...
Connection position:	bottom, backside centric
Options:	<ul style="list-style-type: none"> - case and bezel ring out of stainless steel - stationary pointer - maximum pointer - back flange - chrome plated front flange - u- clamp fixing - further options on request



NG	D	b	h	G	a	b1	SW
100	100	31	78	1/2 bottom	6	52	22
				1/4 back			14

mass in mm

We reserve the right to change technical details.